

GLASS TUBE ROTAMETER CMLZB3~10(W/WB) SERIES

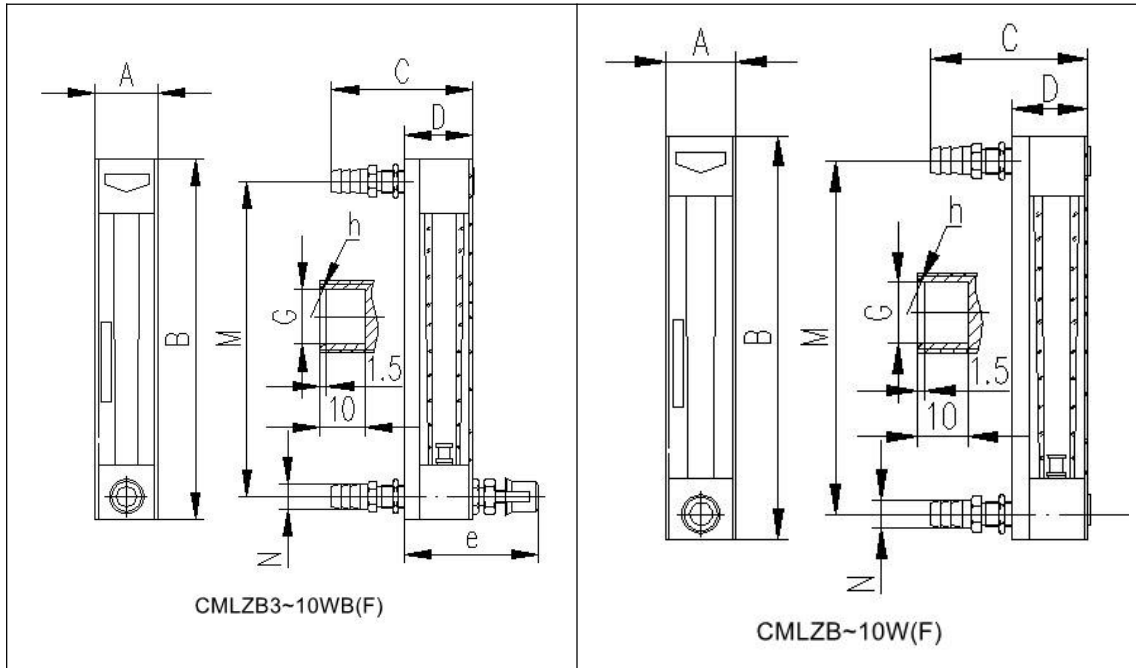


CMLZB3~10(W/WB) series is designed for measuring micro flow inside pipe. Simple structure, convenient mounting and maintenance. CMLZB-3~10WB(F) series is equipped with needle valve to adjust flow.

MODELS and PARAMETER

ND (mm)	Model	Range-ability	Measuring Range		Accuracy	Cone Length (mm)	Liquid					
			Water (20°C, ml/min)	Air (1.013×10 ⁵ Pa, 20°C,ml/min)			Temp. (°C)	Pressure (Mpa)				
3	CMLZB-3 W(F)	10:1	0.4~4	6~60	4 (6,non- corrosive)	94	-20~120	≤0.2				
	CMLZB-3 WB(F)		0.6~6	10~100								
4	CMLZB-4 W(F)		1~10	16~160								
	CMLZB-4 WB(F)		2.5~25	30~300								
6	CMLZB-6 W(F)		4~40	60~600					4 (6,non- corrosive)	94	-20~120	≤0.2
	CMLZB-6 WB(F)		6~60	0.1~1L/min								
10	CMLZB10 W(F)		10~100	0.15~1.5L/min					4 (6,non- corrosive)	94	-20~120	≤0.2
	CMLZB10 WB(F)		16~160	0.3~3L/min								
10	CMLZB10 W(F)	25~250	0.6~6L/min	4 (6,non- corrosive)	94	-20~120	≤0.2					
	CMLZB10 WB(F)	40~400	0.7~7L/min									
10	CMLZB10 W(F)	40~400	0.7~7L/min	4 (6,non- corrosive)	94	-20~120	≤0.2					
	CMLZB10 WB(F)	60~600	1~10L/min									
10	CMLZB10 W(F)	0.1~1L/min	3~30L/min	4 (6,non- corrosive)	94	-20~120	≤0.2					
	CMLZB10 WB(F)	0.16~1.6L/min	5~45L/min									

CONFIGURATION DRAWINGS



ND (mm)	Model	A (mm)	B (mm)	C (mm)	D (mm)	M (mm)	E* (mm)	N (mm)	Metal Pipe Joint (mm)			Mou nting Hole
									Thre ad	G	H	
3	CMLZB3 W(F)/WB(F)	23	136	52	22.5	116	<74	Ø8	M10 ×1	Ø6.2	SR4	Ø11
4	CMLZB4 W(F)/WB(F)											
6	CMLZB6 W(F)/WB(F)											
10	CMLZB10 W(F)/WB(F)			56	26.5		<78	Ø10	M12 ×1	Ø8.2	SR5	