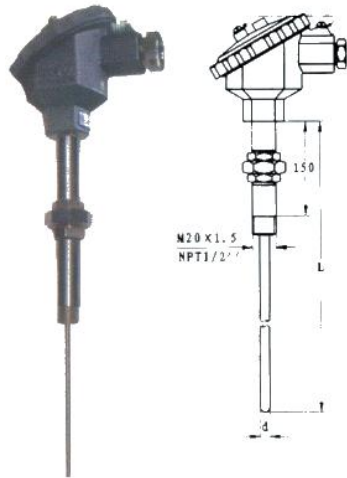


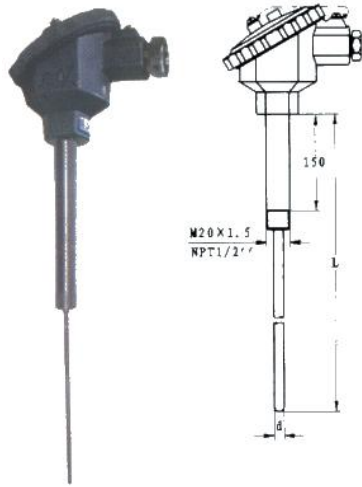
WATER-PROOF TUBE CONNECTION TYPE THERMOCOUPLE

Models of Thermocouple with Adjustable Tube Connector



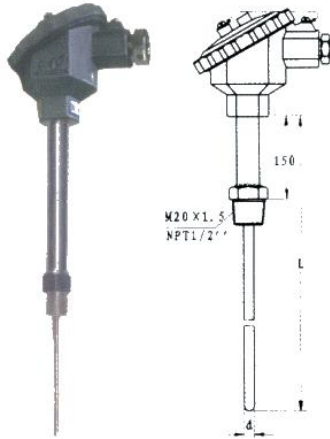
Model	Graduation	Measuring Range °C	Junction Box	Protection Tube Material	Specification	
					d	L
CMWRMK-53	N	0~1000	M20×1.5	1Cr18Si9Ti		245
CMWRMK-53A			NPT1/2			270
CMWRNK-53	K		M20×1.5		295	
CMWRNK-53A			NPT1/2		345	
CMWREK-53	E	0~700	M20×1.5		Φ 3	395
CMWREK-53A			NPT1/2		Φ 4	445
CMWRCK-53	T	0~350	M20×1.5		Φ 5	545
CMWRCK-53A			NPT1/2		Φ 6	645
CMWRFK-53	J	0~600	M20×1.5		Φ 8	745
CMWRFK-53A			NPT1/2		899	1149

Models of Thermocouple with Straight Tube Connector



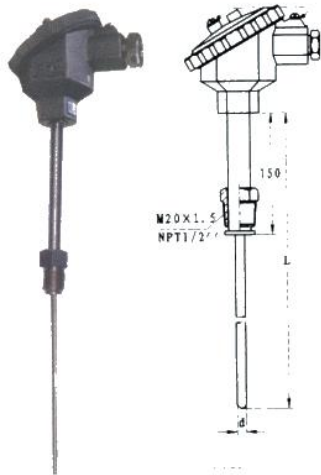
Model	Graduation	Measuring Range °C	Junction Box	Protection Tube Material	Specification	
					d	L
CMWRMK-73	N	0~1000	M20×1.5	1Cr18Si9Ti	Φ 3 Φ 4 Φ 5 Φ 6 Φ 8	245
CMWRMK-73A			NPT1/2			270
CMWRNK-73	K		M20×1.5			295
CMWRNK-73A			NPT1/2			345
CMWREK-73	E	0~700	M20×1.5			395
CMWREK-73A			NPT1/2			445
CMWRCK-73	T	0~350	M20×1.5			545
CMWRCK-73A			NPT1/2			645
CMWRFK-73	J	0~600	M20×1.5			745
CMWRFK-73A			NPT1/2			899
						1149

Models of Thermocouple with Fixed Thread Fastener



Model	Graduation	Measuring Range °C	Junction Box	Protection Tube Material	Specification	
					d	L
CMWRMK-83	N	0~1000	M20×1.5	1Cr18Si9Ti	Φ 3 Φ 4 Φ 5 Φ 6 Φ 8	245
CMWRMK-83A			NPT1/2			270
CMWRNK-83	K		M20×1.5			295
CMWRNK-83A			NPT1/2			345
CMWREK-83	E	0~700	M20×1.5			395
CMWREK-83A			NPT1/2			445
CMWRCK-83	T	0~350	M20×1.5			545
CMWRCK-83A			NPT1/2			645
CMWRFK-83	J	0~600	M20×1.5			745
CMWRFK-83A			NPT1/2			899
						1149

Models of Thermocouple with Movable Thread Fastener



Model	Graduation	Measuring Range ℃	Junction Box	Protection Tube Material	Specification		
					d	L	
CMWRMK-93	N	0~1000	M20×1.5	1Cr18Si9Ti	Φ 3	245	
CMWRMK-93A			NPT1/2			270	
CMWRNK-93	K		M20×1.5			295	
CMWRNK-93A			NPT1/2			345	
CMWREK-93	E	0~700	M20×1.5			Φ 4	395
CMWREK-93A			NPT1/2			Φ 5	445
CMWRCK-93	T	0~350	M20×1.5			Φ 6	545
CMWRCK-93A			NPT1/2			Φ 8	645
CMWRFK-93	J	0~600	M20×1.5				745
CMWRFK-93A			NPT1/2				899
						1149	