

## GLASS TUBE ROTAMETER CMDK800 SERIES



CMDK800 series is designed for measuring micro flow, the minimum measuring range can be 0.002L/h(water) and 0.1L/h(air). Conveniently replace cone and float without dismounting the meter from the pipe. According to application purpose, structure and mounting method, there are standard type, non-corrosive type and panel type for option.

### MAIN PARAMETER

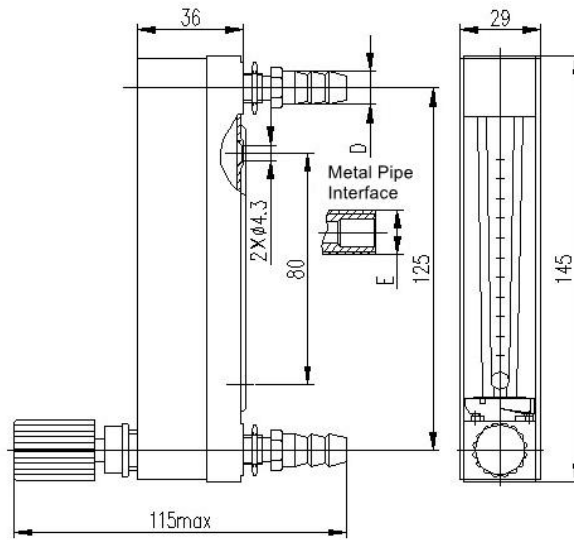
<b>Measuring Range</b>	Water: 20°C, 0.002~160L/h
	Air: 1.2×10 <sup>5</sup> Pa, 20°C, 0.1~4300L/h
<b>Rangeability</b>	10:1
<b>Accuracy Grade</b>	class 2.5, class 4
<b>Cone</b>	Length: 100mm, scale: for flow
<b>Type of Float</b>	ball shape / taper shape
<b>Liquid</b>	Max. Pressure: 1.0 / 1.6Mpa
	Media Temp.: -5~+120°C
	Environment Temp.: -20~+100°C / -20~+65°C
<b>Total Length</b>	146mm

### MODELS for OPTION

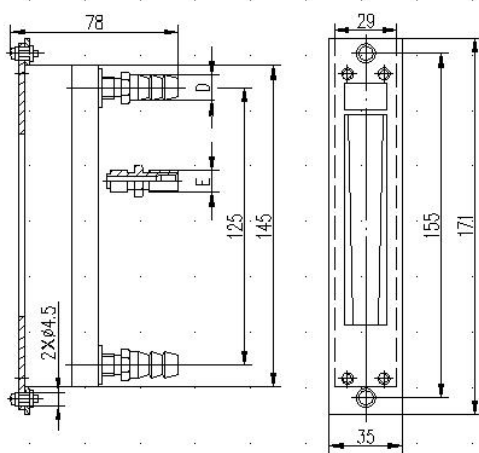
Nominal Diameter (mm)	Model	Measuring Range (L/h)		Float Material
		Water (20°C)	Air (1.2×10 <sup>5</sup> Pa, 20°C)	
2	CMDK800-2	0.002~0.02	0.1~1.3	Agate or Stainless steel
	CMDK800-2F	0.004~0.04	0.5~2.7	
4	CMDK800-4	0.25~2.5	0.5~5 0.8~8	Stainless steel
	CMDK800-4F		1.6~16 4~40 6~60	
6	CMDK800-6	0.5~5 1.2~12 2.5~25 4~40 6~60 10~100 16~160	10~100 180~1800 25~250 240~2400	
	CMDK800-6F		50~500 300~3000 80~800 350~3500 100~1000 430~4300	

## CONFIGURATION DRAWINGS

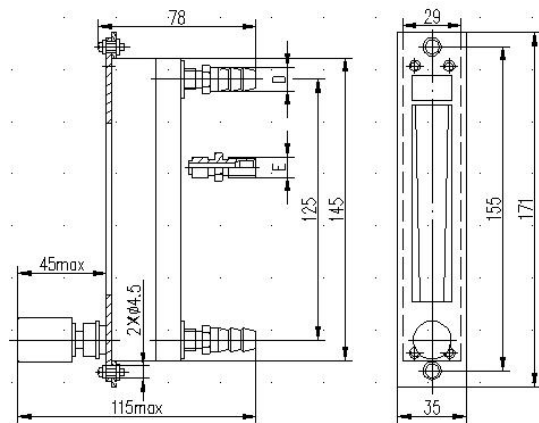
MODEL	D (mm)	E(mm)	OUTER DIAMETER of METAL PIPE
CMDK800,CMDK800-2F	$\phi 9$	M8 $\times$ 1	$\phi 5$
CMDK800-4,CMDK800-4F	$\phi 11.5$	M10 $\times$ 1	$\Phi 6$
CMDK800-6,CMDK800-6F			



CMDK800 Basic Type



CMDK800 Panel Type without Regulating Valve



CMDK800 Panel Type with Regulating Valve