

AMOURED THERMOCOUPLE SERIES

Application

The series normally cooperates with display instrument, recorder and computer, etc. to directly measure temperature of liquid, gas, steam and solid among 0 °C ~1300 °C during production process.

Features

1. Less thermal response time, reduce dynamic error.
2. Can bending mount
3. Wide measuring range.
4. High mechanical strength and pressure-resistance ability.

Measuring Range and Tolerance

Model	Graduation	Tolerance			
		I		II	
		Value	Measuring Range °C	value	Measuring Range °C
CMWRNK	K	±1.5°C	-40~+375	±2.5°C	-40~+333
		±0.004t/l	375~1000	±0.0075t/l	333~1200
CMWRMK	N	±1.5°C	-40~+375	±2.5°C	-40~+333
		±0.004t/l	375~1000	±0.0075t/l	333~1200
CMWREK	E	±1.5°C	-40~+375	±1.5°C	-40~+333
		±0.004t/l	375~800	±0.004t/l	333~900
CMWRFK	J	±1.5°C	-40~+375	±1.5°C	-40~+333
		±0.004t/l	375~750	±0.004t/l	333~750
CMWRCK	T	±1.5°C	-40~+125	±1°C	-40~+133
		±0.004t/l	125~350	±0.0075t/l	133~350
CMWRPK	S	±1°C	0~+1100	±2.5°C	0~600
		±[0.003(t-1100)]	1100~1600	±0.0025t/l	600~1600

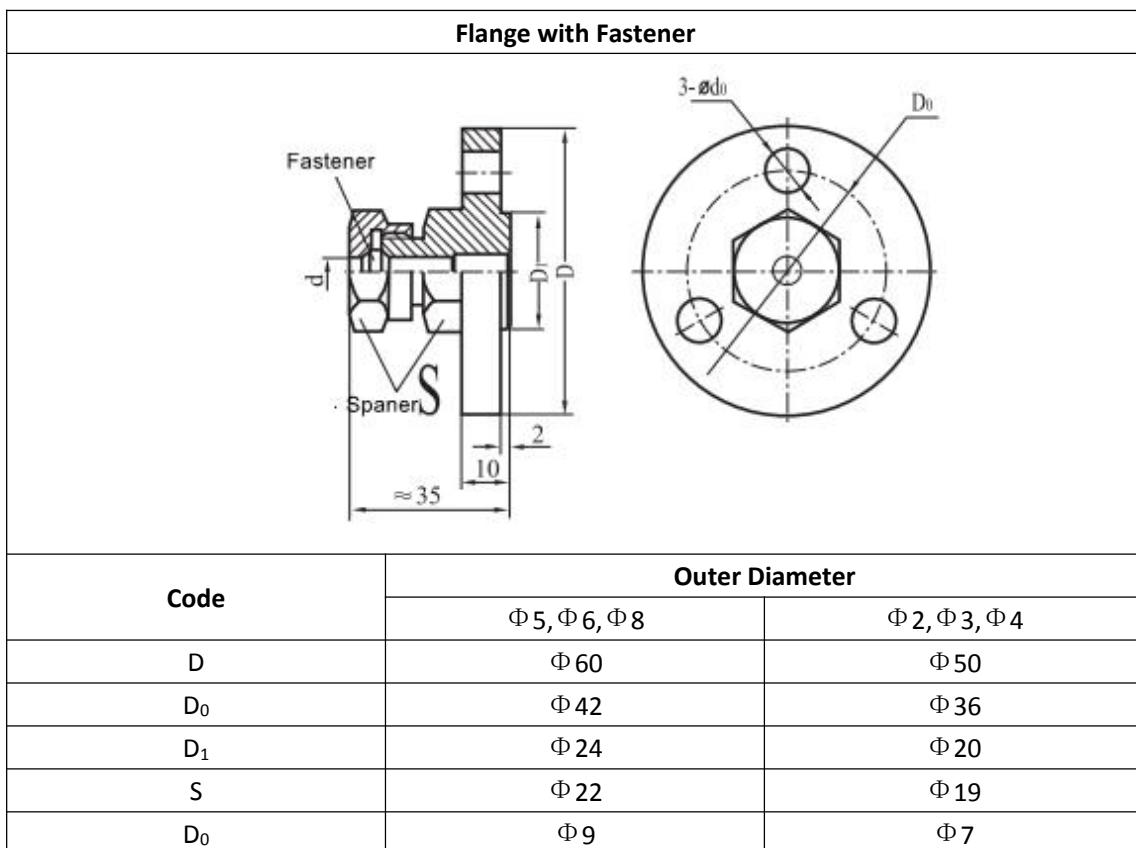
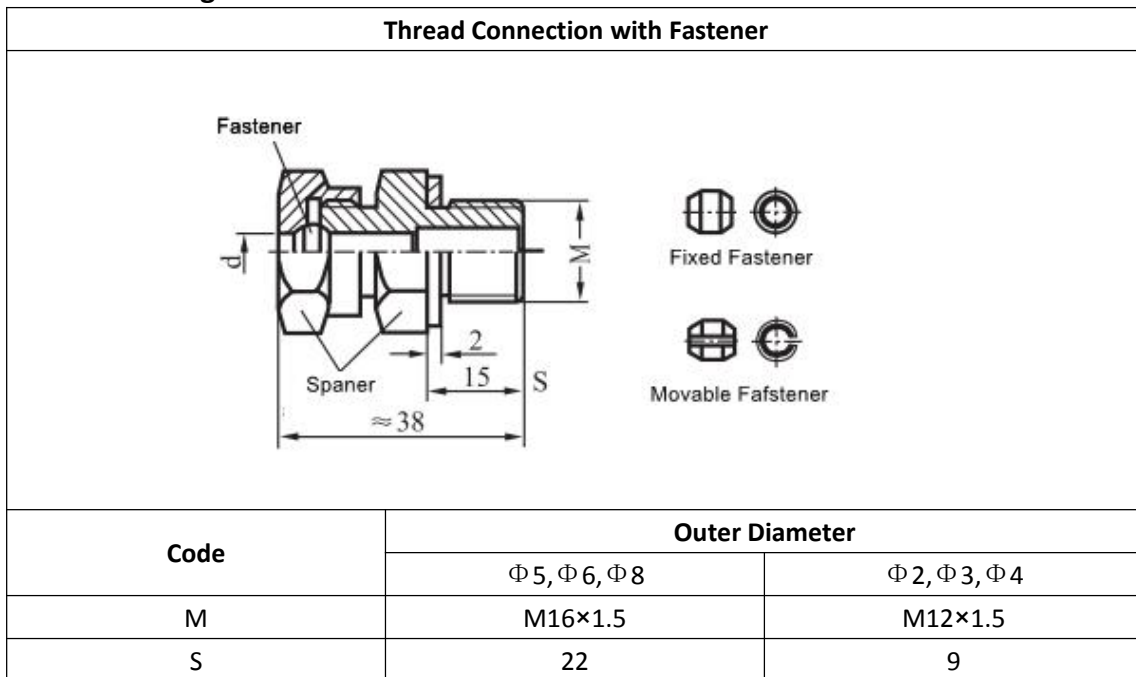
Insulation Resistance at Normal Temperature

The insulation resistance between electrode and protection tube is no less than 1000MΩ.m when environment temperature is 20 ± 15 °C, relative humidity is no more than 80% and test voltage is 500 ± 50V(DC).

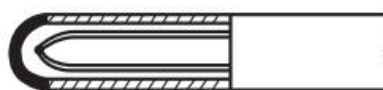
Diameter and Material of Thermocouple Wire

Thermocouple Type		Simplex	Duplex
Tube Diameter		Φ 2, Φ 3, Φ 4, Φ 5, Φ 6, Φ ,	Φ 3, Φ 4, Φ 5, Φ 6, Φ 8
Tube Material	E, J, T	ICr18Ni9Ti	
	K, N	ICr18Ni9Ti / GH3030	
	S	GH3039	

Installation Figure

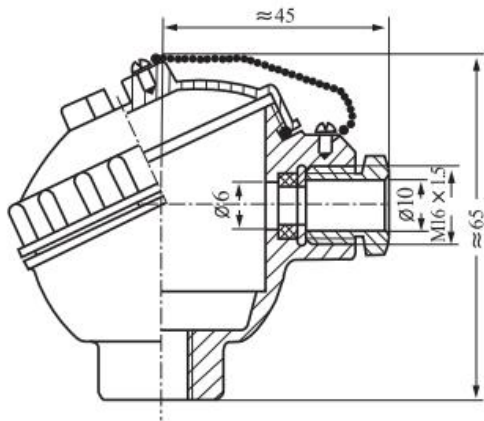


Measuring Tip Structure

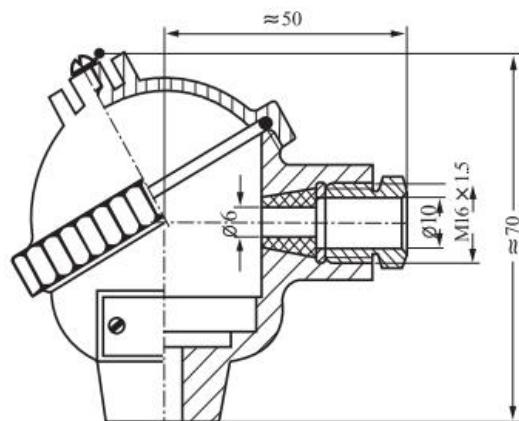


Insulation Type

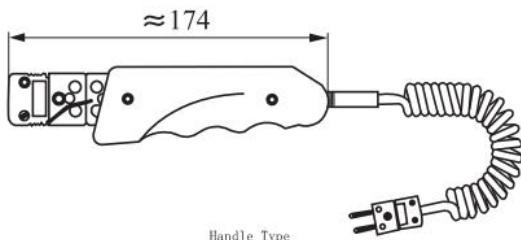
Junction Box



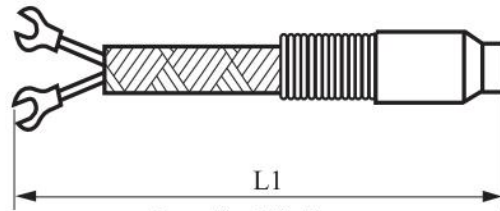
Anti-spray Type



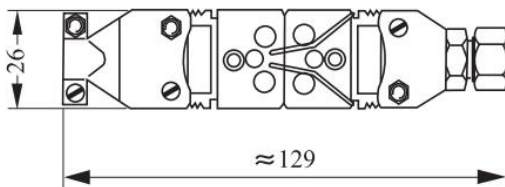
Water-proof Type



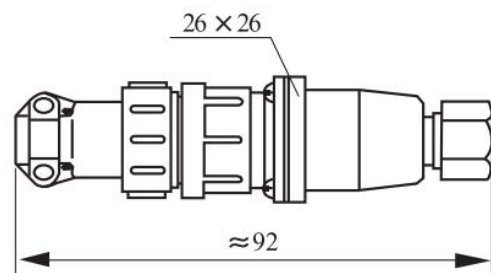
Handle Type



Compensational Wire Type



Flat Plug Type

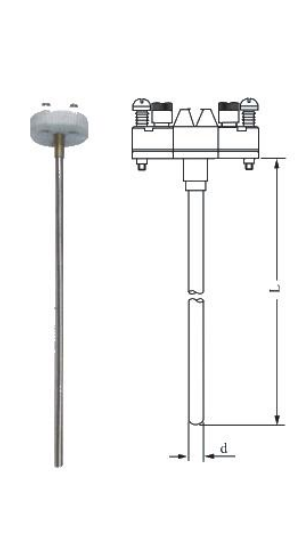


Round Plug Type

Recommend Operation Temperature

Category	Tube Material	Outer Diameter (mm)	Operation Temperature (°C)	
			Long Term	Short Term
NiCr-NiSi	1Cr18Ni9Ti	2.0	600	700
		3.0,4.0,5.0,6.0,8.0	800	900
	GH3030	2.0,3.0	800	900
		4.0,5.0 6.0,8.0	900 1000	1000 1100
NiCrSi-Nisi	1Cr18Ni9Ti	2.0	600	700
		3.0,4.0,5.0,6.0,8.0	800	900
	GH3030	2.0,3.0	900	1000
		4.0,5.0	1000	1100
		6.0,8.0	1100	1200
	GH3039	2.0,3.0,4.0	1000	1100
5.0,6.0,8.0		1100	1200	
NiCr-CuNi	1Cr18Ni9Ti	2.0	500	600
		3.0,4.0,5.0	600	700
		6.0,8.0	700	800
Fe-CuNi	1Cr18Ni9Ti	2.0	400	500
		2.0,3.0,4.0,5.0	500	600
		6.0,8.0	600	750
Cu-CuNi	1Cr18Ni9Ti	2.0,3.0,4.0,5.0	250	300
		6.0,8.0	300	350
PtRh10-Pt	GH3039	2.0,3.0,4.0	1000	1100
		5.0,6.0,8.0	1100	1200

Sensing Cell

	Description	Model	Graduation	Measuring Range (°C)	Dimension	
					d	L
	NiCrSi-NiSi	CMWRM-101	N	0~1000	Φ3	310
	NiCr-NiSi	CMWRN-101	K			360
	NiCr-CuNi	CMWRE-101	E	0~800	Φ4	60
	Cu-CuSi	CMWRC-101	T		Φ5	510
	Fe-CuNi	CMWRF-101	J	0~600	Φ6	560
					Φ8	660
						910
						1160

Ordering Code

CMW R K -

1=insulation type ; 2=shell-connecting type

- 2=anti-spray type
- 3=water-proof type
- 4=explosion-proof type
- 6=round plug type
- 7=flat plug type
- 8=handle type
- 9=compensational wire type

- 1=without fixing device
- 2= thread with fixed fastener
- 3=thread with movable fastener
- 4=flange with fixed fastener
- 5=flange with movable fastener

Blank=simplex ; 2=duplex

Amoured Thermocouple

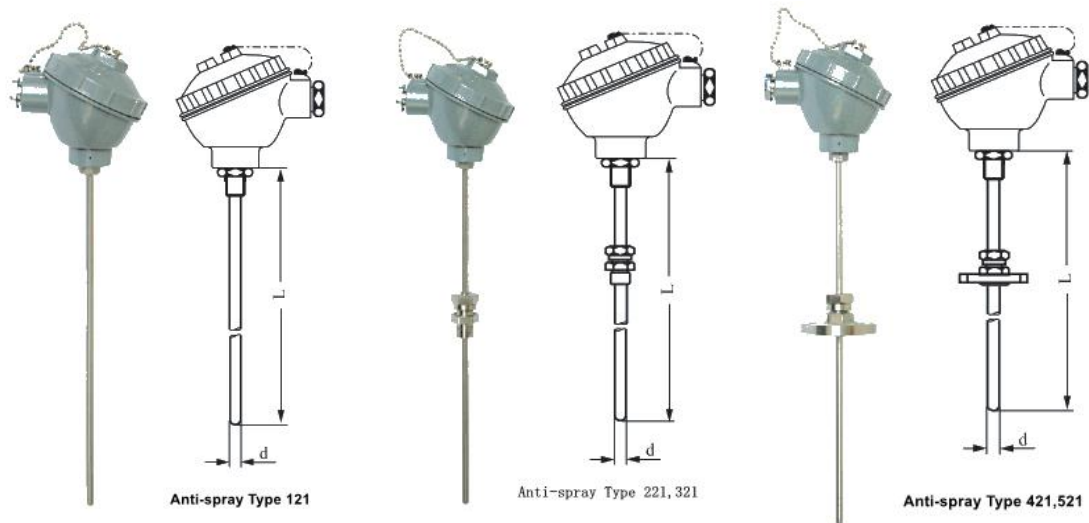
Sensing Cell Material:

- P=PtRh₁₀-Pt
- M=NiCrSi-NiSi
- N=NiCr-NiSi
- E=NiCr-CuNi
- C=Cu-CuNi
- F=Fe-CuNi

Thermocouple

Temperature Instrument

Models of Spray-proof Type



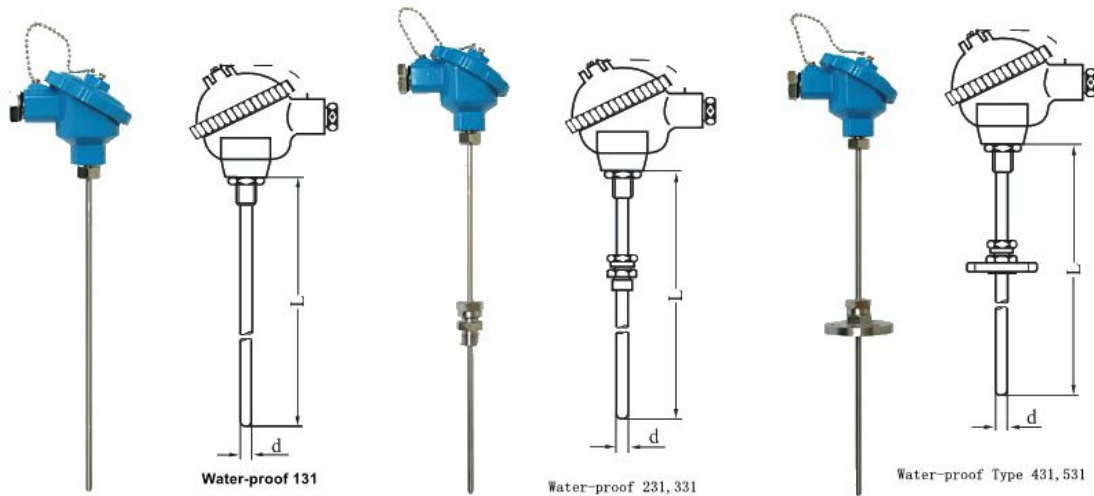
Model	Graduation	Measuring Range (°C)	Protection Tube Material	Mounting & Fixing
CMWRPK-121	S	0~1300	GH3039	without fixing device
CMWRMK-121	N	0~1100	GH3030	
CMWRMK ₂ -121		0~800	1Cr18Ni9Ti	
CMWRNK-121	K	0~1100	GH3030	
CMWRNK ₂ -121		0~800	1Cr18Ni9Ti	
CMWREK-121	E	0~600	1Cr18Ni9Ti	
CMWRCK-121	T	0~350		
CMWRFK-121	J	0~500		
CMWRPK-221	S	0~1300	GH3039	thread with fixed fastener
CMWRMK-221	N	0~1100	GH3030	
CMWRMK ₂ -221		0~800	1Cr18Ni9Ti	
CMWRNK-221	K	0~1100	GH3030	
CMWRNK ₂ -221		0~800	1Cr18Ni9Ti	
CMWREK-221	E	0~600	1Cr18Ni9Ti	
CMWRCK-221	T	0~350		
CMWRFK-221	J	0~500		
CMWRPK-321	S	0~1300	GH3039	thread with movable fastener
CMWRMK-321	N	0~1100	GH3030	
CMWRMK ₂ -321		0~800	1Cr18Ni9Ti	
CMWRNK-321	K	0~1100	GH3030	
CMWRNK ₂ -321		0~800	1Cr18Ni9Ti	
CMWREK-321	E	0~600	1Cr18Ni9Ti	
CMWRCK-321	T	0~350		
CMWRFK-321	J	0~500		



Xi'an CAMON Automatic Instruments Co.,Ltd

CMWRPK-421	S	0~1300	GH3039	flange with fixed fastener
CMWRMK-421	N	0~1100	GH3030	
CMWRMK ₂ -421		0~800	1Cr18Ni9Ti	
CMWRNK-421	K	0~1100	GH3030	
CMWRNK ₂ -421		0~800	1Cr18Ni9Ti	
CMWREK-421	E	0~600	1Cr18Ni9Ti	
CMWRCK-421	T	0~350		
CMWRFK-421	J	0~500		
CMWRPK-521	S	0~1300	GH3039	flange with movable fastener
CMWRMK-521	N	0~1100	GH3030	
CMWRMK ₂ -521		0~800	1Cr18Ni9Ti	
CMWRNK-521	K	0~1100	GH3030	
CMWRNK ₂ -521		0~800	1Cr18Ni9Ti	
CMWREK-521	E	0~600	1Cr18Ni9Ti	
CMWRCK-521	T	0~350		
CMWRFK-521	J	0~500		

Models of Water-proof Type



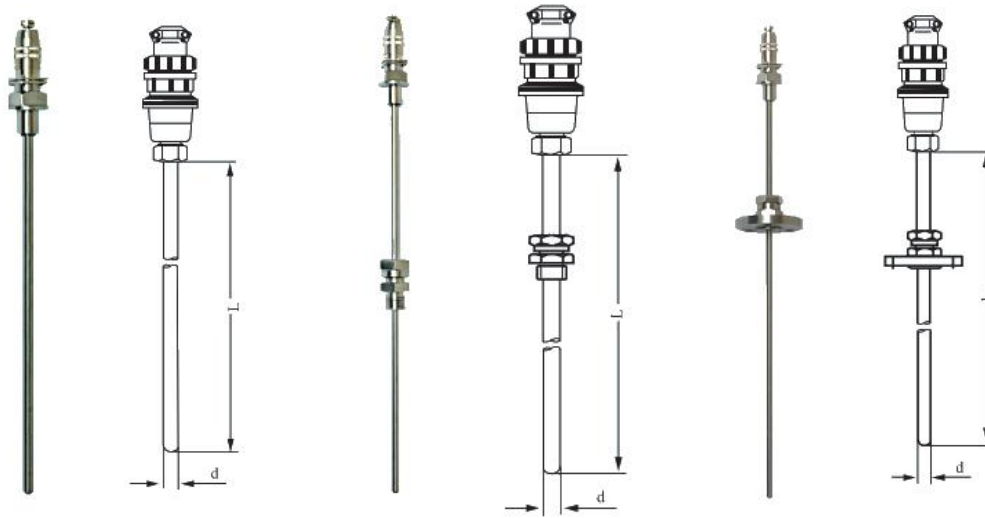
Model	Graduation	Measuring Range (°C)	Protection Tube Material	Mounting & Fixing
CMWRPK-131	S	0~1300	GH3039	without fixing device
CMWRMK-131	N	0~1100	GH3030	
		0~800	1Cr18Ni9Ti	
CMWRNK-131	K	0~1100	GH3030	
		0~800	1Cr18Ni9Ti	
CMWREK-131	E	0~600	1Cr18Ni9Ti	
CMWRCK-131	T	0~350		
CMWRFK-131	J	0~500		
CMWRPK-231	S	0~1300	GH3039	thread with fixed fastener
CMWRMK-231	N	0~1100	GH3030	
		0~800	1Cr18Ni9Ti	
CMWRNK-231	K	0~1100	GH3030	
		0~800	1Cr18Ni9Ti	
CMWREK-231	E	0~600	1Cr18Ni9Ti	
CMWRCK-231	T	0~350		
CMWRFK-231	J	0~500		
CMWRPK-331	S	0~1300	GH3039	thread with movable fastener
CMWRMK-331	N	0~1100	GH3030	
		0~800	1Cr18Ni9Ti	
CMWRNK-331	K	0~1100	GH3030	
		0~800	1Cr18Ni9Ti	
CMWREK-331	E	0~600	1Cr18Ni9Ti	
CMWRCK-331	T	0~350		
CMWRFK-331	J	0~500		
CMWRPK-431	S	0~1300	GH3039	flange with fixed fastener



Xi'an CAMON Automatic Instruments Co.,Ltd

CMWRMK-431	N	0~1100	GH3030		
		0~800	1Cr18Ni9Ti		
CMWRNK-431	K	0~1100	GH3030		
		0~800	1Cr18Ni9Ti		
CMWREK-431	E	0~600	1Cr18Ni9Ti		
CMWRCK-431	T	0~350			
CMWRFK-431	J	0~500			
CMWRPK-531	S	0~1300	GH3039		flange with movable fastener
CMWRMK-531	N	0~1100	GH3030		
		0~800	1Cr18Ni9Ti		
CMWRNK-531	K	0~1100	GH3030		
		0~800	1Cr18Ni9Ti		
CMWREK-531	E	0~600	1Cr18Ni9Ti		
CMWRCK-531	T	0~350			
CMWRFK-531	J	0~500			

Models of Round Plug Type



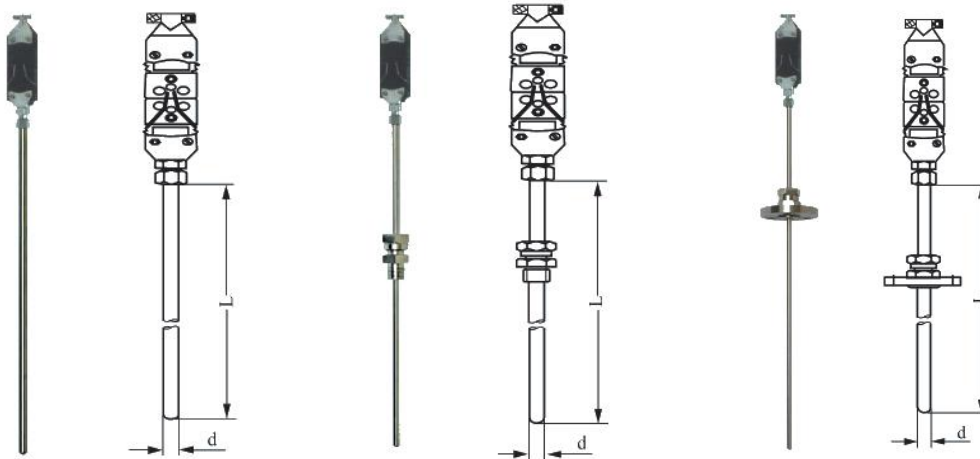
Model	Graduation	Measuring Range (°C)	Protection Tube Material	Mounting & Fixing
CMWRPK-161	S	0~1300	GH3039	without fixing device
CMWRMK-161	N	0~1100	GH3030	
			1Cr18Ni9Ti	
CMWRNK-161	K		GH3030	
			1Cr18Ni9Ti	
CMWREK-161	E	0~600	1Cr18Ni9Ti	
CMWRCK-161	T	0~350		
CMWRFK-161	J	0~500		
CMWRPK-261	S	0~1300	GH3039	thread with fixed fastener
CMWRMK-261	N	0~1100	GH3030	
			1Cr18Ni9Ti	
CMWRNK-261	K		GH3030	
			1Cr18Ni9Ti	
CMWREK-261	E	0~600	1Cr18Ni9Ti	
CMWRCK-261	T	0~350		
CMWRFK-261	J	0~500		
CMWRPK-361	S	0~1300	GH3039	thread with movable fastener
CMWRMK-361	N	0~1100	GH3030	
			1Cr18Ni9Ti	
CMWRNK-361	K		GH3030	
			1Cr18Ni9Ti	
CMWREK-361	E	0~600	1Cr18Ni9Ti	
CMWRCK-361	T	0~350		
CMWRFK-361	J	0~500		
CMWRPK-461	S	0~1300	GH3039	flange with fixed fastener



Xi'an CAMON Automatic Instruments Co.,Ltd

CMWRMK-461	N	0~1100	GH3030	
			1Cr18Ni9Ti	
CMWRNK-461	K	GH3030		
		1Cr18Ni9Ti		
CMWREK-461	E	0~600	1Cr18Ni9Ti	
CMWRCK-461	T	0~350		
CMWRFK-461	J	0~500		
CMWRPK-561	S	0~1300	GH3039	
CMWRMK-561	N	0~1100	GH3030	
			1Cr18Ni9Ti	
CMWRNK-561	K	GH3030		
		1Cr18Ni9Ti		
CMWREK-561	E	0~600	1Cr18Ni9Ti	
CMWRCK-561	T	0~350		
CMWRFK-561	J	0~500		

Models of Flat Plug Type



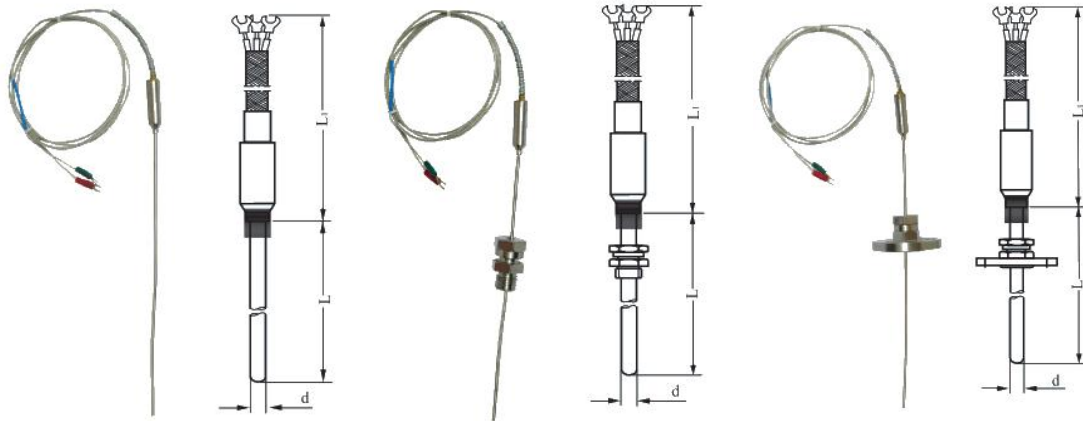
Model	Graduation	Measuring Range (°C)	Protection Tube Material	Mounting & Fixing
CMWRPK-171	S	0~1300	GH3039	without fixing device
CMWRMK-171	N	0~1100	GH3030	
			1Cr18Ni9Ti	
CMWRNK-171	K		GH3030	
			1Cr18Ni9Ti	
CMWREK-171	E	0~600	1Cr18Ni9Ti	
CMWRCK-171	T	0~350		
CMWRFK-171	J	0~500		
CMWRPK-271	S	0~1300	GH3039	thread with fixed fastener
CMWRMK-271	N	0~1100	GH3030	
			1Cr18Ni9Ti	
CMWRNK-271	K		GH3030	
			1Cr18Ni9Ti	
CMWREK-271	E	0~600	1Cr18Ni9Ti	
CMWRCK-271	T	0~350		
CMWRFK-271	J	0~500		
CMWRPK-371	S	0~1300	GH3039	thread with movable fastener
CMWRMK-371	N	0~1100	GH3030	
			1Cr18Ni9Ti	
CMWRNK-371	K		GH3030	
			1Cr18Ni9Ti	
CMWREK-371	E	0~600	1Cr18Ni9Ti	
CMWRCK-371	T	0~350		
CMWRFK-371	J	0~500		
CMWRPK-471	S	0~1300	GH3039	flange with fixed fastener
CMWRMK-471	N	0~1100	GH3030	



Xi'an CAMON Automatic Instruments Co.,Ltd

			1Cr18Ni9Ti	
CMWRNK-471	K		GH3030	
			1Cr18Ni9Ti	
CMWREK-471	E	0~600	1Cr18Ni9Ti	flange with movable fastener
CMWRCK-471	T	0~350		
CMWRFK-471	J	0~500		
CMWRPK-571	S	0~1300	GH3039	
CMWRMK-571	N	0~1100	GH3030	
			1Cr18Ni9Ti	
CMWRNK-571	K		GH3030	
			1Cr18Ni9Ti	
CMWREK-571	E	0~600	1Cr18Ni9Ti	
CMWRCK-571	T	0~350		
CMWRFK-571	J	0~500		

Models of Extension Wire Type



Model	Graduation	Measuring Range (°C)	Length		Mounting & Fixing
			L	L1	
CMWRPK-191	S	0~1300	100 200 300 400 500 750 1000 1500 2000 3000 4000 5000 7500 10000 15000 25000	500 750 1500 2000 3000 4000 10000 15000 25000	without fixing device
CMWRMK-191	N	0~1100			
CMWRNK-191	K				
CMWREK-191	E	0~600			
CMWRCK-191	T	0~350			
CMWRFK-191	J	0~500			
CMWRPK-291	S	0~1300			thread with fixed fastener
CMWRMK-291	N	0~1100			
CMWRNK-291	K				
CMWREK-291	E	0~600			
CMWRCK-291	T	0~350			
CMWRFK-291	J	0~500			
CMWRPK-391	S	0~1300			thread with movable fastener
CMWRMK-391	N	0~1100			
CMWRNK-391	K				
CMWREK-391	E	0~600			
CMWRCK-391	T	0~350			
CMWRFK-391	J	0~500			
CMWRPK-491	S	0~1300			flange with fixed fastener
CMWRMK-491	N	0~1100			
CMWRNK-491	K				
CMWREK-491	E	0~600			
CMWRCK-491	T	0~350			
CMWRFK-491	J	0~500			
CMWRPK-591	S	0~1300	flange with movable fastener		
CMWRMK-591	N	0~1100			
CMWRNK-591	K				



Xi'an CAMON Automatic Instruments Co.,Ltd

CMWREK-591	E	0~600			
CMWRCK-591	T	0~350			
CMWRFK-591	J	0~500			