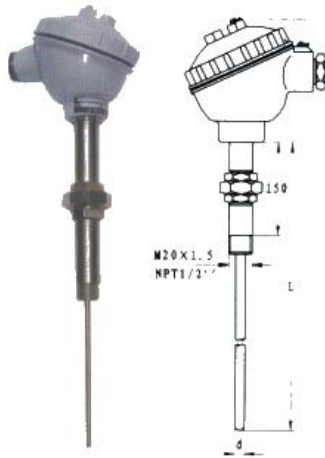


ANTI-SPRAY TUBE CONNECTION TYPE THERMOCOUPLE

Models of Thermocouple with Adjustable Tube Connector



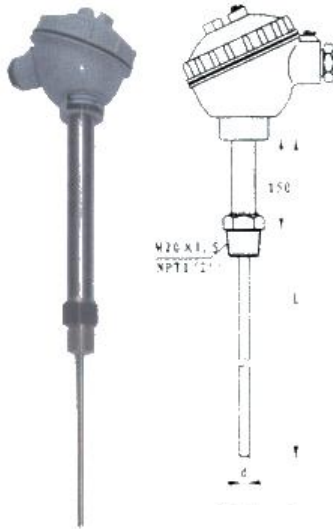
Model	Graduation	Measuring Range °C	Junction Box	Protection Tube Material	Specification		
					d	L	
CMWRM-52	N	0~1000	M20×1.5	1Cr18Si9Ti	Φ 3	245	
CMWRM-52A			NPT1/2			270	
CMWRN-52	K		M20×1.5			295	
CMWRN-52A			NPT1/2			345	
CMWRE-52	E	0~700	M20×1.5			Φ 4	395
CMWRE-52A			NPT1/2			Φ 5	445
CMWRC-52	T	0~350	M20×1.5			Φ 6	545
CMWRC-52A			NPT1/2			Φ 8	645
CMWRF-52	J	0~600	M20×1.5				745
CMWRF-52A			NPT1/2				899
						1149	

Models of Thermocouple with Straight Tube Connector



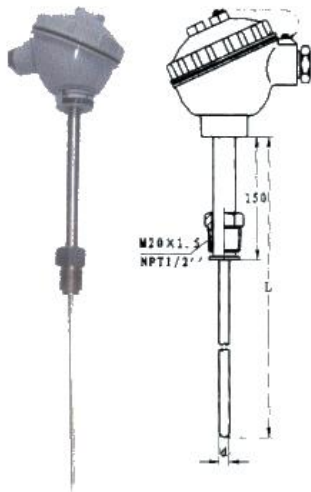
Model	Graduation	Measuring Range °C	Junction Box	Protection Tube Material	Specification	
					d	L
CMWRM-72	N	0~1000	M20×1.5	1Cr18Si9Ti	Φ 3 Φ 4 Φ 5 Φ 6 Φ 8	245
CMWRM-72A			NPT1/2			270
CMWRN-72	K		M20×1.5			295
CMWRN-72A			NPT1/2			345
CMWRE-72	E	0~700	M20×1.5			395
CMWRE-72A			NPT1/2			445
CMWRC-72	T	0~350	M20×1.5			545
CMWRC-72A			NPT1/2			645
CMWRF-72	J	0~600	M20×1.5			745
CMWRF-72A			NPT1/2			899
						1149

Models of Thermocouple with Fixed Thread Fastener



Model	Graduation	Measuring Range °C	Junction Box	Protection Tube Material	Specification			
					d	L		
CMWRM-82	N	0~1000	M20×1.5	1Cr18Si9Ti	Φ 3	245		
CMWRM-82A			NPT1/2			270		
CMWRN-82	K		M20×1.5			295		
CMWRN-82A			NPT1/2			345		
CMWRE-82	E	0~700	M20×1.5			Φ 4	395	
CMWRE-82A			NPT1/2			Φ 5	445	
CMWRC-82	T	0~350	M20×1.5			Φ 6	545	
CMWRC-82A			NPT1/2			Φ 8	645	
CMWRF-82	J	0~600	M20×1.5				745	
CMWRF-82A			NPT1/2				899	
								1149

Models of Thermocouple with Movable Thread Fastener



Model	Graduation	Measuring Range °C	Junction Box	Protection Tube Material	Specification			
					d	L		
CMWRM-92	N	0~1000	M20×1.5	1Cr18Si9Ti	Φ 3	245		
CMWRM-92A			NPT1/2			270		
CMWRN-92	K		M20×1.5			295		
CMWRN-92A			NPT1/2			345		
CMWRE-92	E	0~700	M20×1.5			Φ 4	395	
CMWRE-92A			NPT1/2			Φ 5	445	
CMWRC-92	T	0~350	M20×1.5			Φ 6	545	
CMWRC-92A			NPT1/2			Φ 8	645	
CMWRF-92	J	0~600	M20×1.5				745	
CMWRF-92A			NPT1/2				899	
								1149