

BIMETALLIC THERMOMETER SERIES

Bimetallic thermometer is suitable for measuring medium and low temperature.

CMWSS Series



Accuracy: 1.5

Time Constant:

protection tube Dia.d=6mm,<30s

protection tube Dia.d=8/10/12mm,<40s

Protection Tube Material: 1Cr18Ni9Ti

Protection Tube Pressure: 6.3MPa

Ordering Code

CMWSS

□ - □ □ □ □ □

N=vibration resistance

S=stainless steel

1/W=core puling type
Blank=other type

Dial Diameter	
3	60mm
4	100mm
5	150mm

0	Without fixing device
1	Movable external thread
2	Movable inner thread
3	Fixed external thread
4	Flange
5	Sleeve flange
6	Sleeve thread

0	Angle type
1	Straight type
6/8	Adjustable angle type

Model and Specification

Type	Model	Shell Material	Dial Diameter (mm)	Measure Range °C	Protection Tube Diameter (mm)	Insert Length (mm)	Mounting Thread							
Angle	CMWSS-301	stainless steel	Ø67	-80~+40	Ø6	75	Flexible Male Thread M16×1.5							
	CMWSS-302			-40~+80		100								
Straight	CMWSS-311			0~50		150								
	CMWSS-312			0~100		200								
Angle	CMWSS-401			stainless steel		Ø110		0~150	Ø8 Ø10 Ø12	250	Flexible Male Thread M27×2			
	CMWSS-402							0~200		300				
Angle	CMWSS-4011	0~300	400											
	CMWSS-4021	0~400	500											
Core pulling	CMWSS-411	0~500	750											
	CMWSS-412		1000											
Striaight	CMWSS-411	Ø160	0~500		1250			1500						
	CMWSS-412				1750									
Straight	CMWSS-4111				2000									
	CMWSS-4121													
Core pulling	CMWSS-501				stainless steel			Ø160		0~500		Ø8 Ø10 Ø12	200	Fixed Thread R1/2 Sleeve Thread R1/2
	CMWSS-502												250	
Angle	CMWSS-5011	300												
	CMWSS-5021	400												
Core puling	CMWSS-511	500												
	CMWSS-512													
Straight	CMWSS-511													
	CMWSS-512													
Straight	CMWSS-5111													
	CMWSS-5121													
Adjustable angle	CMWSS-463	stainless steel	Ø110	-80~+40 -40~+80		Ø6	200		Fixed Thread R1/2 Sleeve Thread R1/2					
	CMWSS-466						250							
				0~50		300								
				0~100		400								
				0~150		500								
				0~200										

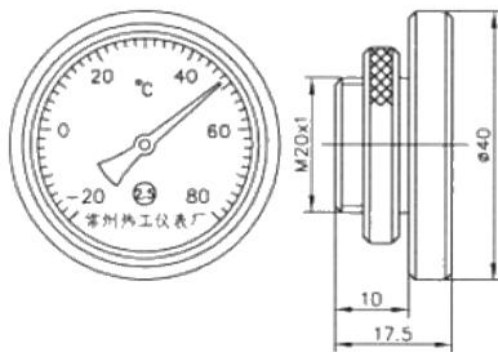
	CMWSS-461			0~300 0~400 0~500		75 100 150 200 250 300 400 500 750 1000 1250 1500 1750 2000	Flexible Male Thread M27×2 Flexible Female Thread M27×2
	CMWSS-462				Ø8 Ø10 Ø12		
Adjustable angle Core pulling	CMWSS-4611					100 150 200 250 300 400 500 750 1000	Flexible Male Thread M27×2 Flexible Female Thread M27×2
	CMWSS-4621				Ø10		

CMWS Series



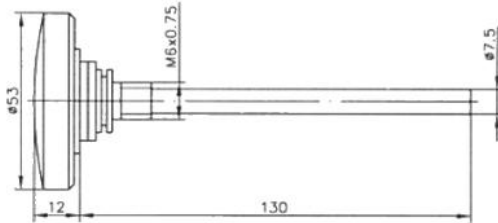
CMWS series contains fetures like vibration-resistance, ingenious strucutre and small cubage,etc. Widely applied in special puepose and natiional defense industries.

Model: CMWS-40



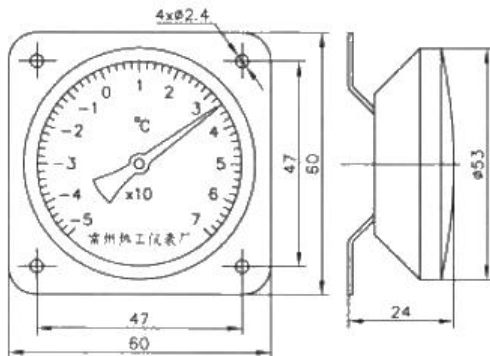
Dial Diameter: 40mm
Measuring Range: -20~+80℃
Scale Interval: 2℃
Accuracy: 2.5
Thread: M20×1

Model: CMWS-50



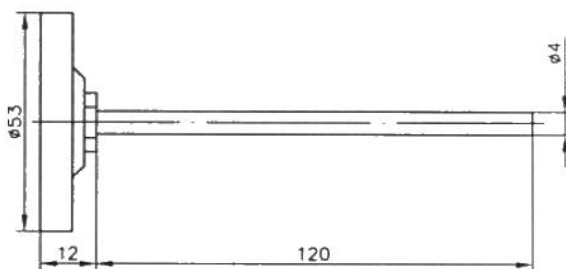
Dial Diameter: 53mm
 Measuring Range: -60~+50°C
 Scale Interval: 2°C
 Accuracy: $\pm 1^\circ\text{C}$ (-20~+50°C)
 $\pm 2^\circ\text{C}$ (-60~-20°C)
 Insert Length: 130mm
 Protection Tube Dia.: 7.5mm
 Thread: M6×0.75

Model: CMWS-51



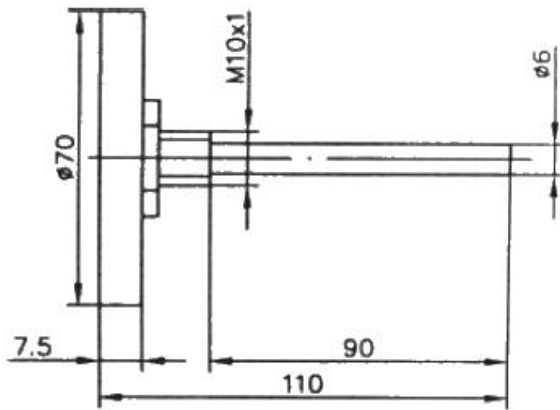
Dial Diameter: 53mm
 Measuring Range: -50~+70°C
 Scale Interval: 2°C
 Accuracy: $\pm 2^\circ\text{C}$ (-40~+70°C)
 $\pm 4^\circ\text{C}$ (-50~-40°C)

Model: CMWS-52



Dial Diameter: 53mm
 Measuring Range: 0~+200°C ; 0~300°C
 Scale Interval: 2°C ; 5°C
 Accuracy: 1.5
 Insert Length: 120mm
 Protection Tube Dia.: 4mm

Model: CMWS-70



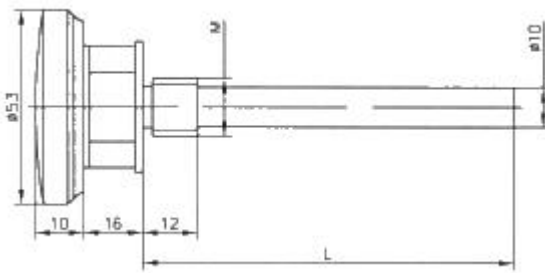
Dial Diameter: 70mm
 Measuring Range: 0~100°C
 Scale Interval: 1°C
 Accuracy: 1
 Insert Length: 90mm
 Protection Tube Dia.:6mm
 Thread: M10×1

CMWTJ Series



CMWTJ series contains features like vibration-resistance, impact-resistance and anti-spray, etc. Widely applied in national defense industries and harsh occasions.

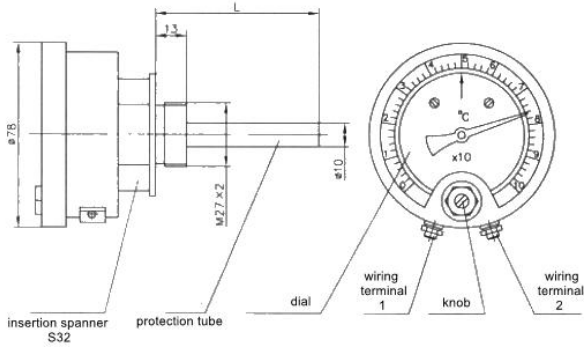
Model: CMWTJ-A



Dial Diameter: 53mm
 Measuring Range: -60~+50°C,
 0~100°C, 0~250°C
 Scale Interval: 2°C, 5°C
 Accuracy: ±1.5°C (-40~+250°C)
 ±3°C (-60~-40°C)
 Insert Length: 75, 100, 130,
 150, 200, 250mm
 Protection Tube Dia.: 10mm

Thread: M16×1, M27×2

Model: CMWTJ-B (electric contact type)



Dial Diameter: 78mm

Measuring Range: 0~+100℃

Scale Interval: 2℃

Accuracy: 1.5

Insert Length: 75,100,150,200mm

Protection Tube Dia.:10mm

Thread: M27×2

Max. contact operation voltage: 24VDC

Max.contact operation current: 100mA

CMWSSX Electric Contact Series



Ordering Code

CMWSSX



-



N= vibration resistant type

Scale Diameter
3=60mm
4=100mm

Installation
0=no fixing device
1=flexible male thread
2=flexible female thread
3=fixed male thread
4=flange
5=sleeve flange
6=sleeve thread

Type
0= stright (axial type)
1= angle (radial type)

Main Parameter

Electric Contact Type	upper & lower Limit ; single upper limit ; dual upper limit	
Accuracy	upper & lower Limit	± 1.5%
	single upper limit	
	dual upper limit	first upper limit: 1.5 second upper limit: 4
Electric	rated power: 10VA ; max.workingvoltage: 220VAC ; max.working current: 1A	
Scale Diameter	60mm ; 100mm	
Time constant, pressure and protection material refer to CMWSS series		